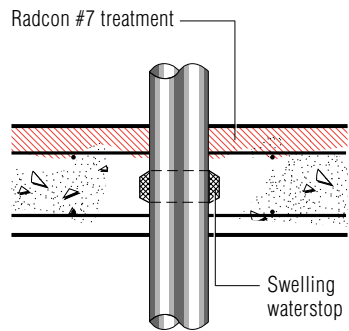
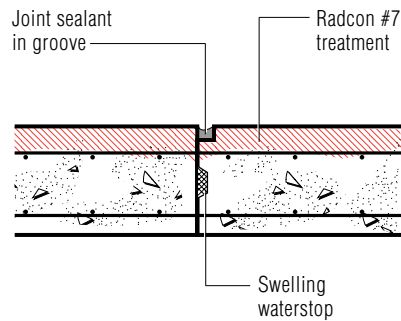


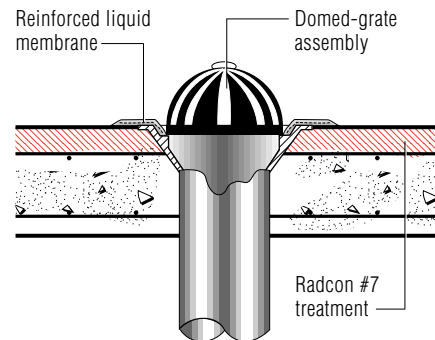
TYPICAL SECTION EXPOSED ROOFTOP



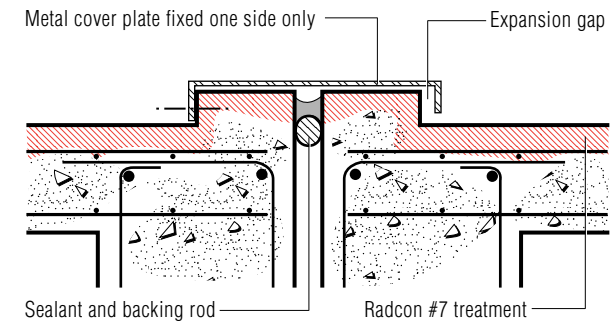
DETAIL RP1 PENETRATION



DETAIL RPJ2 CONSTRUCTION JOINT



DETAIL RP2 PENETRATION



DETAIL REJ2 EXPANSION JOINT