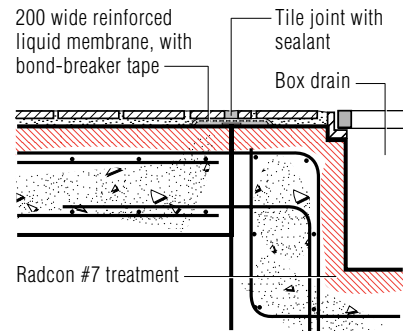
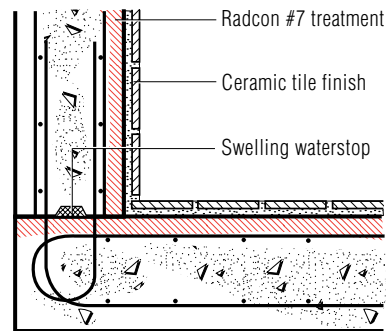


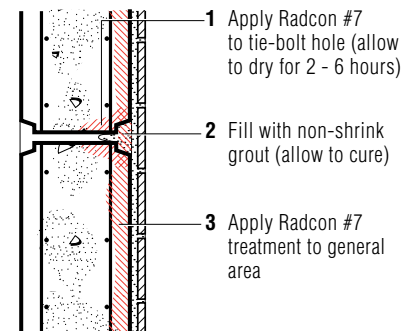
TYPICAL SECTION *SUSPENDED SWIMMING POOL*



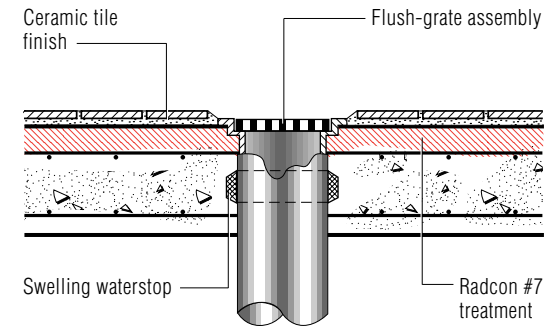
DETAIL WPJ1 *CONSTRUCTION JOINT*



DETAIL WPJ2 *CONSTRUCTION JOINT*



DETAIL WM1 *TIE-BOLT TREATMENT*



DETAIL WP1 *PENETRATION*