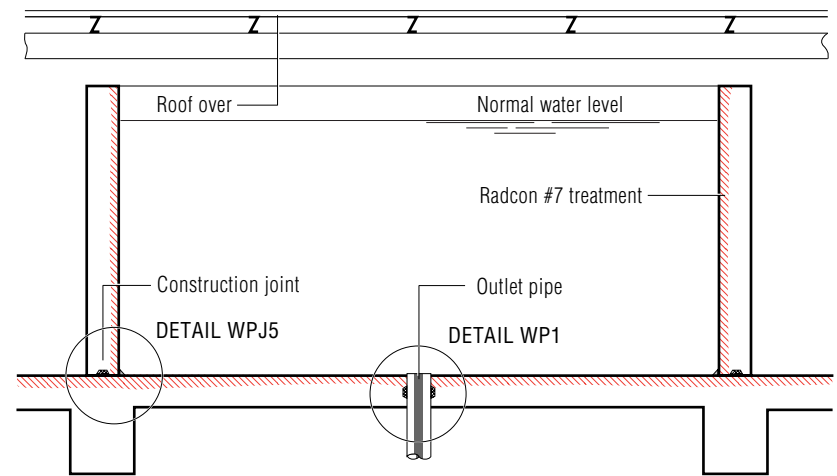
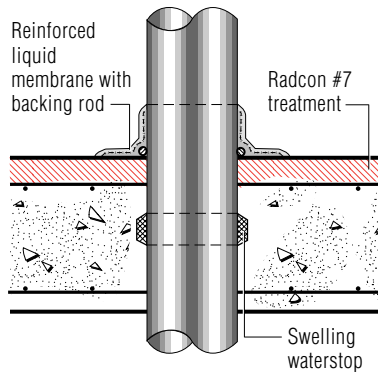


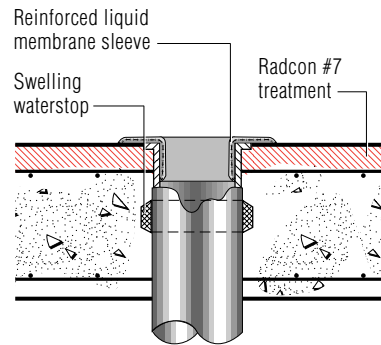
**TYPICAL SECTION** ELEVATED WATER TOWER



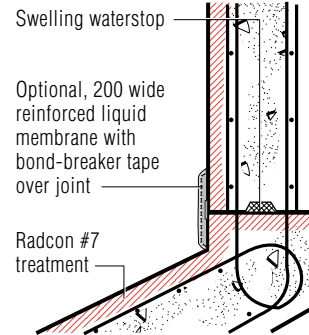
**TYPICAL SECTION** ELEVATED SPRINKLER TANK



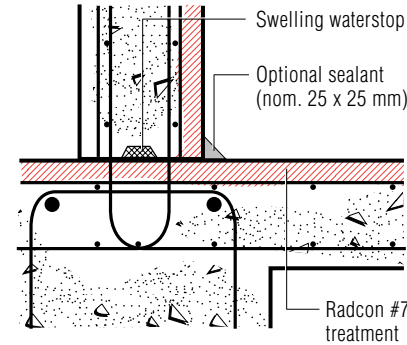
**DETAIL WP4**  
 PENETRATION



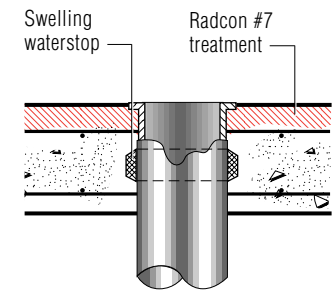
**DETAIL WP5**  
 PENETRATION



**DETAIL WPJ4**  
 CONSTRUCTION JOINT



**DETAIL WPJ6**  
 CONSTRUCTION JOINT



**DETAIL WP1**  
 PENETRATION